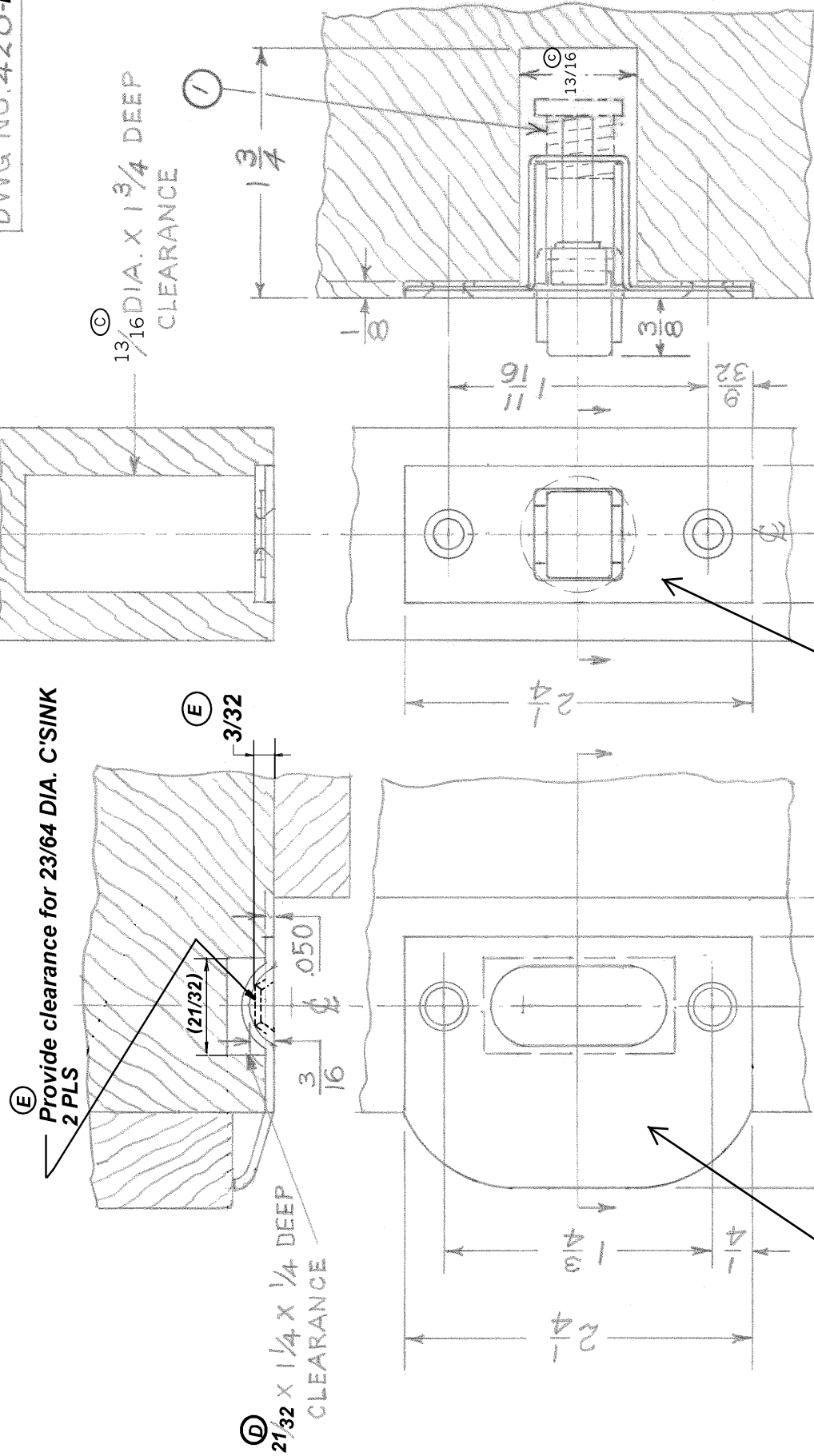


DO NOT SCALE

TEMPLATE DRAWING

DWG. NO. 420-E



TEMPLATE FOR
333 ROLLER CATCH
335

LETTER	CHANGE	DATE
A	SCREW TYPES SLIPDATED	10-3-85
B	#6-32 X 3/8 MS WAS #8-32 X 1/2 MS.ECO-86-39	9-5-86
C	13/16 WAS 3/4, ECO 01-49	5/15/02

F.C.B. 8-8-58 FULL SIZE

E	Added note "E" & dim. 3/32-ECO-03-13	4/10/03
D	ADDED NOTE "D" -ECO-02-12	10/14/02

Use Templaco Strike Template Model (ST-146A) to create this mortise

Use Templaco Latch Template Model (LT-147) to create this mortise

IVES DIVISION
LEIGH PRODUCTS, INC.
P. O. BOX 1887, NEW HAVEN, CONN. 06508